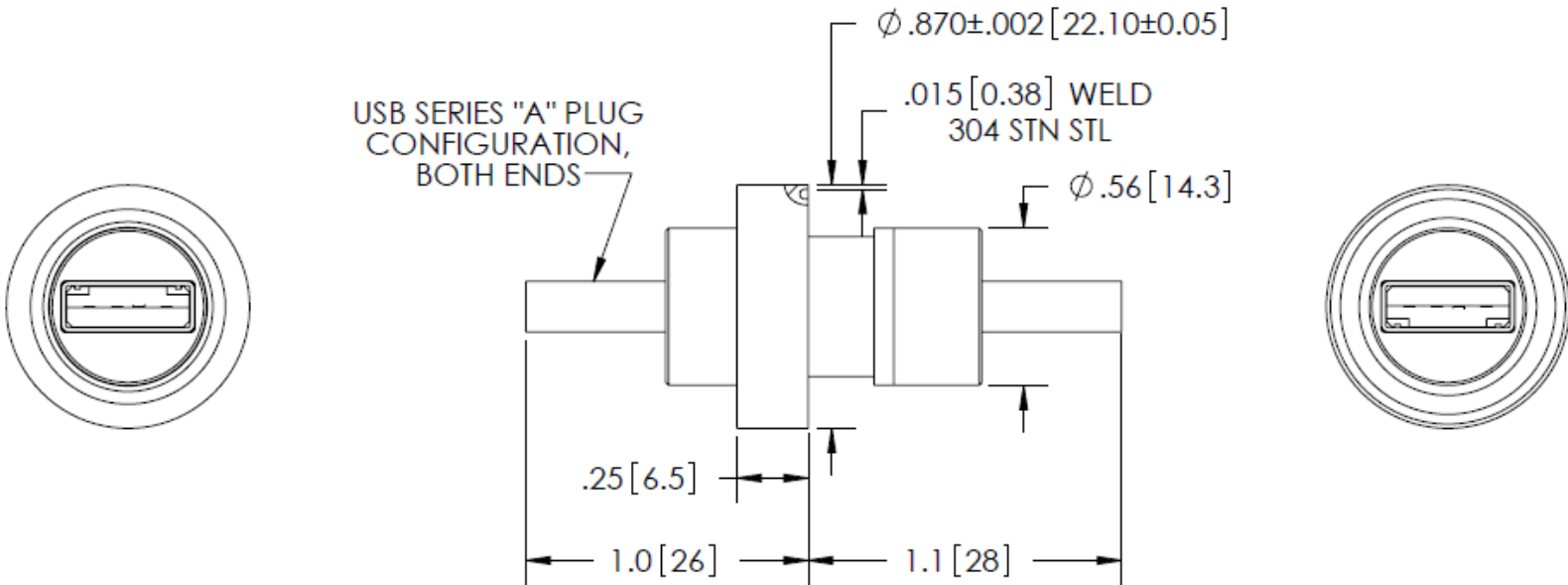


MATES WITH STANDARD USB SERIES "A" RECEPTACLE, BOTH ENDS



RATINGS	
VOLTAGE:	30V RMS
CURRENT:	1 AMP
TEMPERATURE WITHOUT RECEPTACLES ATTACHED:	-269°C TO 200°C



USB Feedthroughs

Not scale drawing

Sheet 1 of 2

Date: 10/02/2011

Revision: 0.0

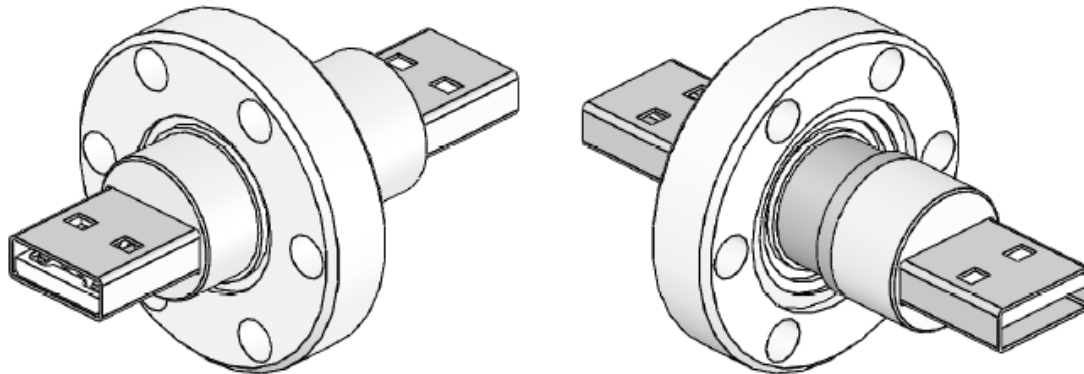
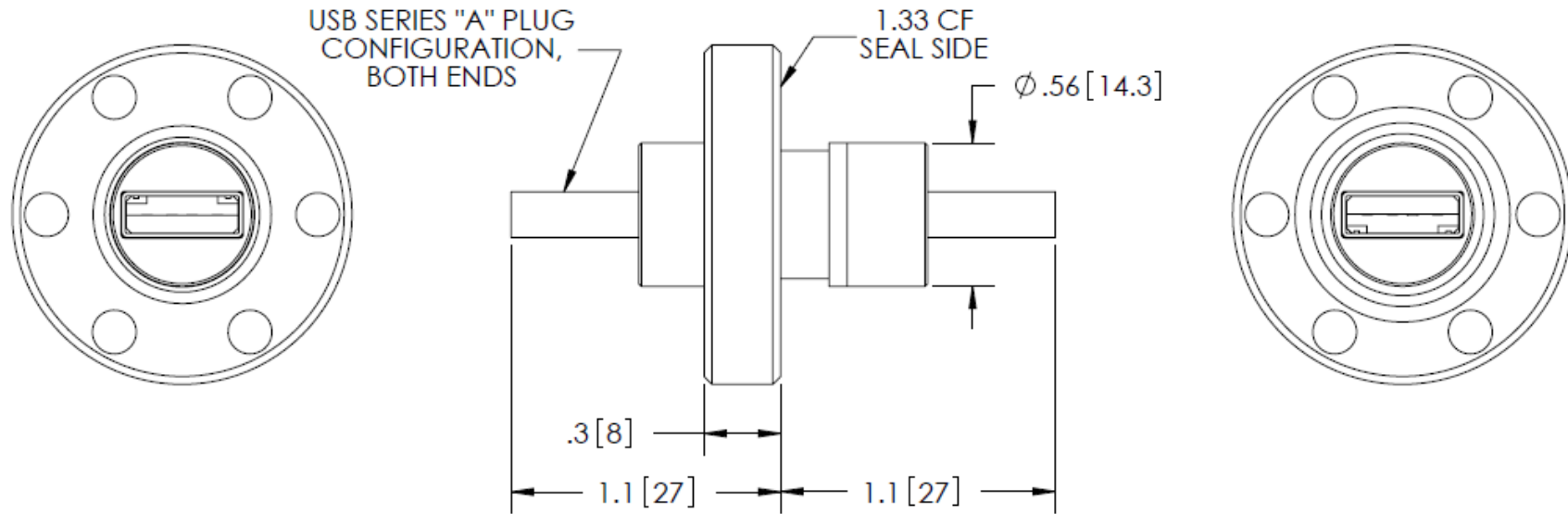
Dimensions: IN (mm)

Number:

Property and confidential

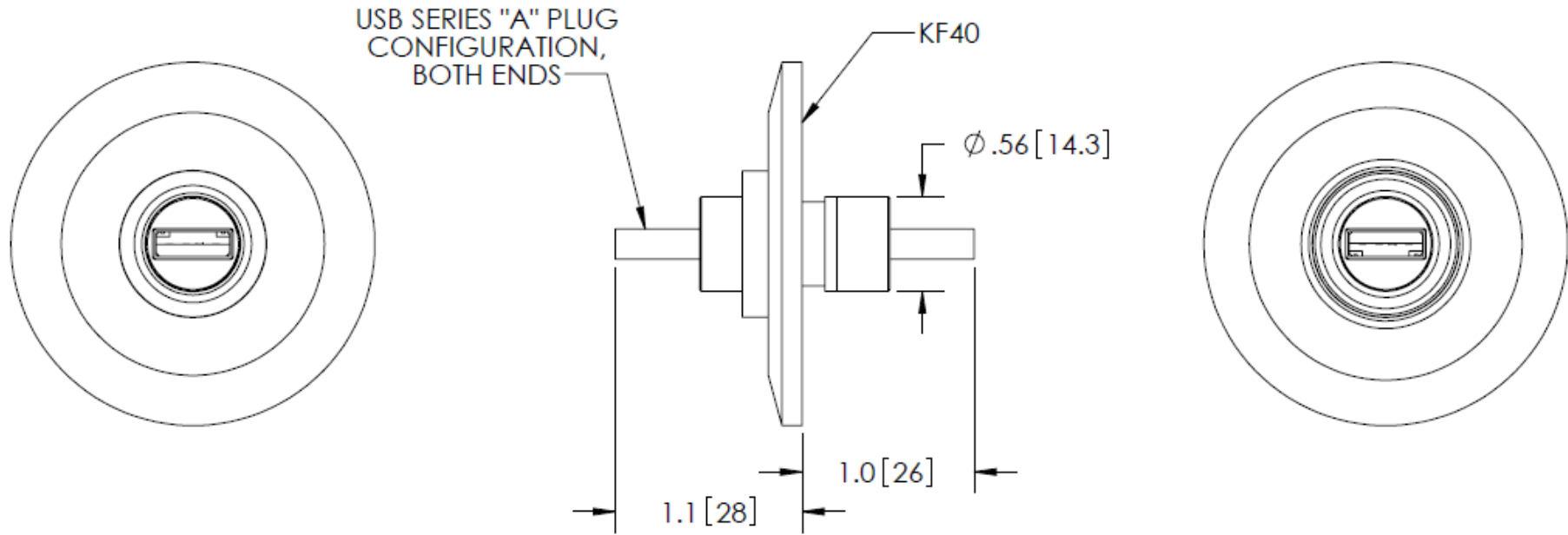
The information contained in this drawing is the sole property of Vaqtec Srl. Any reproduction in part or as a whole without the written permission of Vaqtec Srl is prohibited.

MATES WITH STANDARD USB SERIES "A" RECEPTACLE, BOTH ENDS



RATINGS	
VOLTAGE	30V RMS
CURRENT	1 AMP
TEMPERATURE WITHOUT RECEPTACLES ATTACHED	-269°C TO 200°C

MATES WITH STANDARD USB SERIES "A" RECEPTACLE, BOTH ENDS



RATINGS	
VOLTAGE:	30V RMS
CURRENT:	1 AMP
TEMPERATURE WITHOUT RECEPTACLES ATTACHED:	-25°C TO 200°C

**vaqtec**  
vacuum technology & components

USB Feedthroughs

Not scale drawing

Sheet 3 of 2

Date: 10/02/2011

Revision: 0.0

Dimensions: IN (mm)

Number:

Property and confidential

The information contained in this drawing is the sole property of Vaqtec Srl. Any reproduction in part or as a whole without the written permission of Vaqtec Srl is prohibited.